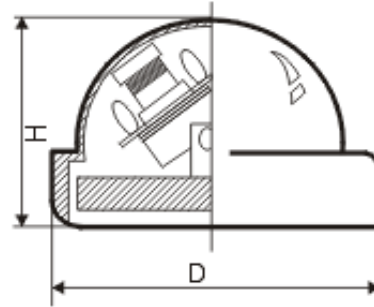


Plastic Crust Camera



Unit: mm $\Phi 120(D) \times 70(H)$



Products

Model	D70SH
Image Pick-up Device	1/3" SONY Color CCD
Horizontal Resolution	420 TV Lines
Number of Pixels	NTSC:510(H) \times 492(V); PAL:500(H) \times 582(V)
Scanning System	NTSC:525 Lines,60 Field/sec, PAL:625 Lines 50 Field/sec
Sync System	Internal Synchronization
Gamma Characterlstic	0.45
S/N Ratio	≥ 48 dB(AGC Off)
Electronic Shutter Time	On: NTSC 1/60~1/100,000Sec,PAL 1/50~1/100,000Sec; Off: NTSC 1/60 Sec, PAL 1/50 Sec
Usable Illumination	0 lux with built-in IR 24 LED ON
IR projecct distance	18 meters(24 Unit Infrared LED)
IR Status	Under 10 Lux by CDS
IR Power On	CDS Auto Control
Lens	Board Lens 3.6-12mm(optional)
Video Output	1.0Vp-p 75 ohm
Gain Control(AGC)	Auto
Cable	BNC JACK
Operation Temperature	-10°C ~ +50°C RH95% Max
Storage Temperature	-20°C ~ +60°C RH95% Max
Power Supply	DC 12V/800mA
Dimension	$\Phi 120 \times 70(H)$ mm
Weight	420g